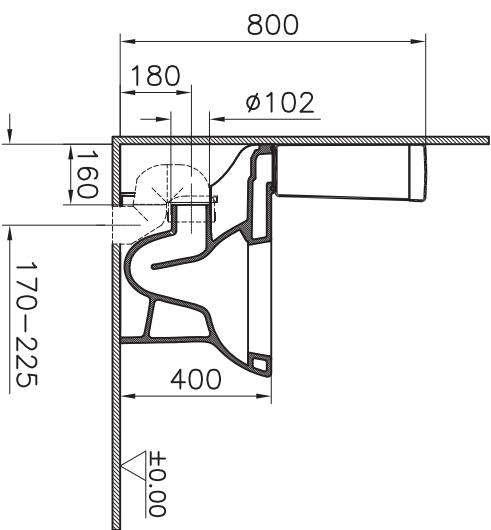
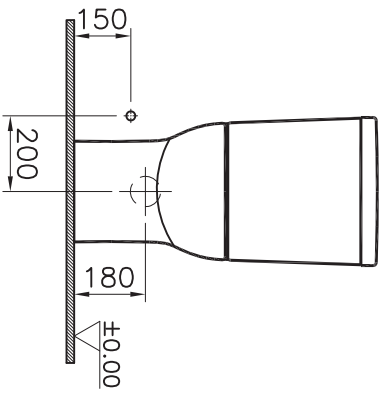
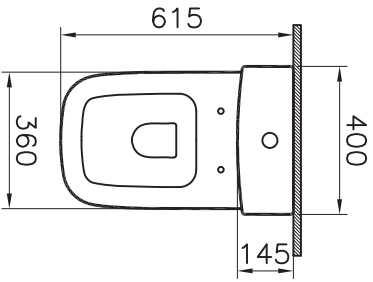


Theoretic Mass(kg)	Revision
Surface Area(dm ²)	A4

Thread	Hole	Shaft
--------	------	-------



Item	Quantity	System	Part Name	Series	Material	Drawing No	Material	Material Class
2	1	Close coupled BTW WC	S20		Ceramic	5514-5450	Ceramic	
1	1	Close coupled BTW WC	S20		Ceramic	5513-0075	Ceramic	

This drawing can only be used for the intended purpose. Unauthorised copying is strictly prohibited.

Drawn By	Controlled By	Approved By	Date	Drawing No	Scale
G.SULZER	H.TURKOZ	S.YEDAT SARIKOL	19.09.2012	5513-5514	1/20
Date	NAME				
Description					

