

Talis Select S

Basin mixer 100 without waste set

Surfaces: **Chrome** Article Number: **72043000**



Description

product features

- ComfortZone 100
- projection 93 mm
- normal spray
- flow rate at 3 bar: 5 l/min
- Select cartridge with temperature control
- temperature limitation adjustable
- suitable for continuous flow water heaters
- connection dimension: DN15
- not included: waste set

Technology



Design awards

DESIGN PLUS

powered by: ISH

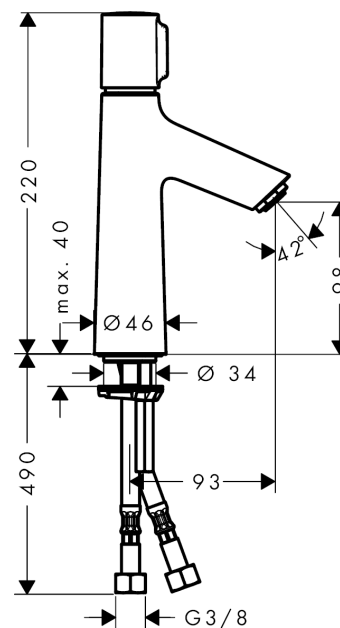


reddot award 2015
winner

Product image



Scale drawing



Flowchart

