

Talis E
Single lever basin mixer 110 without waste set
 Surfaces: **Chrome** Article Number: **71712000**



Description

product features

- ComfortZone 110
- projection 112 mm
- flow rate at 3 bar: 5 l/min
- ceramic cartridge
- temperature limitation adjustable
- suitable for continuous flow water heaters
- connection dimension: DN15
- not included: waste set

Technology



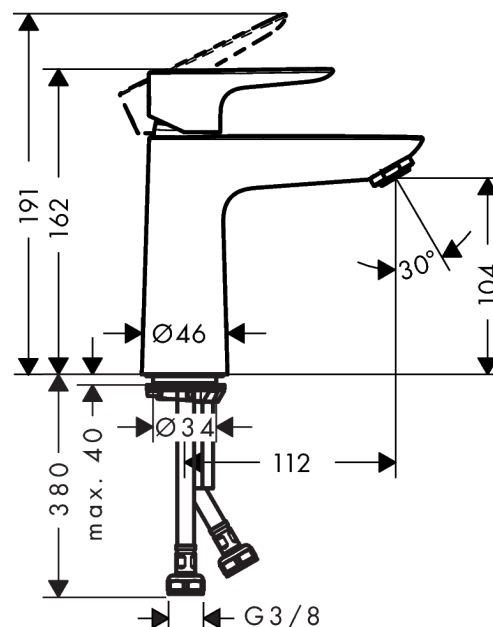
Design awards



Product image



Scale drawing



Flowchart

