

Novus

Single lever bath and shower mixer Monotrou

Surfaces: **Chrome** Article Number: **71321000**



Description

product features

- projection 140 mm
- connection type: G 3/8 connections
- spray type mixer: normal spray
- flow rate at 3 bar: 20 l/min
- ceramic cartridge
- min. operating pressure: 1 bar
- temperature limitation adjustable
- with automatic resetting
- non-return valve
- suitable for continuous flow water heaters
- connection dimension: DN15

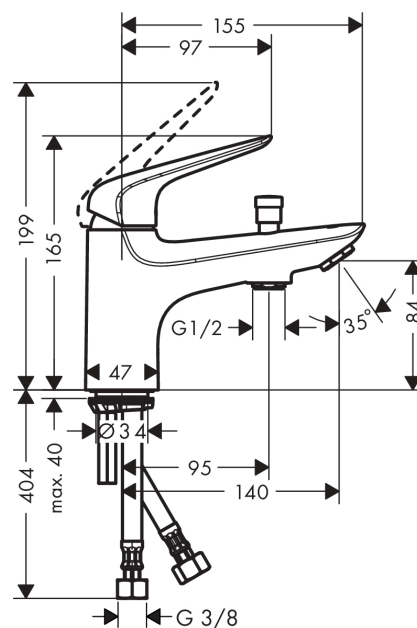
Technology



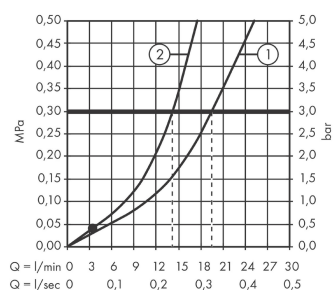
Product image



Scale drawing



Flowchart



- ① Bath spout
- ② Shower outlet