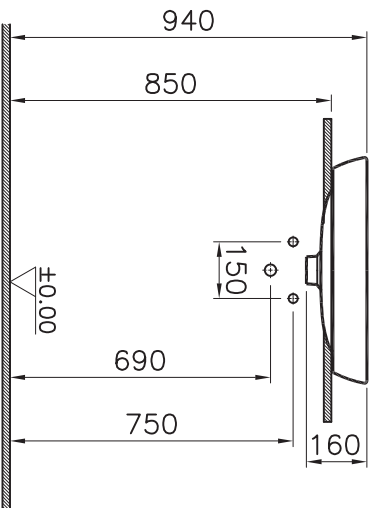
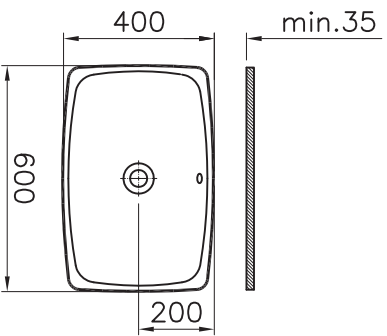


Theoretic Mass(kg)	Revision
Surface Area(dm ²)	A4

Thread	Hole	Shaft



Item	Quantity	Part Name	Series	Material	Drawing No	Material	Material Class
1	1	CountertopWashbasin	M-LINE	Ceramic	5668-0012	Ceramic	
<small>This drawing can only be used for the intended purpose. Unauthorised copying is strictly prohibited.</small>							

Drawn By	Controlled By	Approved By	Date	Drawing No	Scale
G.SULZER	H.TURKOZ	S.YEDAT SARIKOL	01.11.2012	5668	1/20
Date	NAME				
Description					
RS					

Vitra® | ARTEMIA®