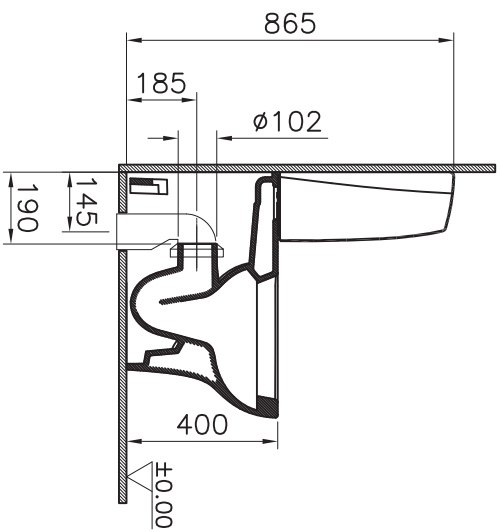
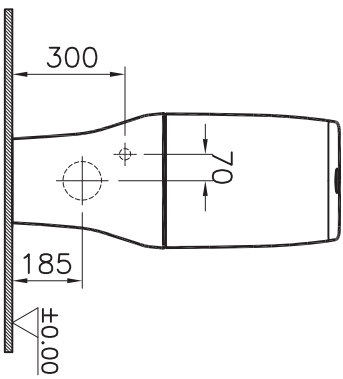
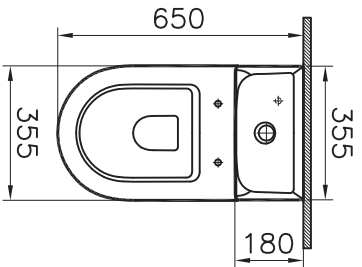


Theoretic Mass(kg)	Revision
Surface Area(dm <sup>2</sup> )	<b>A4</b>

Thread	Hole	Shaft
--------	------	-------



Item	Quantity	System	Part Name	Series	Material	Drawing No	Material	Material Class
2	1	Close coupled BTW WC	ZENTRUM		Ceramic	5787-0107	Ceramic	
1	1	Close coupled BTW WC	ZENTRUM		Ceramic	5782-0385	Ceramic	

This drawing can only be used for the intended purpose. Unauthorised copying is strictly prohibited.

Drawn By	Controlled By	Approved By	Date	Drawing No	Scale
G.SULZER	H.TURKOZ	S.YEDAT SARIKOL	25.02.2014	5782-5787	1/20
Date	NAME				
Description					

RS					
----	--	--	--	--	--

**Vitra** | **ARTEMIA**